

Product data sheet

Characteristics

QO200TR

Molded case switch, QO, 60A, 2 pole, 240 VAC, 22 kA, enclosed, air conditioning

Product availability : Stock - Normally stocked in distribution facility



Main

Product	Switch Weatherproof enclosure
Range	QO
Current Rating	60 A
Voltage Rating	240 V AC
Color	Grey

Complementary

Interrupt Rating	22 kA 240 V AC
Height	6.50 in (165 mm)
Depth	3.90 in (99 mm)
Width	4.65 in (118 mm)
Number of Phases	1 phase
Indoor/Outdoor Use	Enclosed outdoor
For Use With	air conditioner

Environment

Certifications	UL Listed
Ambient Rating	104 °F (40 °C)
NEMA Enclosure Rating	NEMA 3R

Ordering and shipping details

Category	00044 - A/C DISC & PULL-OUTS
Discount Schedule	DE2A

* Price is "List Price" and may be subject to a trade discount – check with your local distributor or retailer for actual price.

GTIN	00785901535966
Package weight(Lbs)	3 lb(US) (1.36 kg)
Returnability	Yes
Country of origin	MX

Packing Units

Package 2 Weight	30.35 lb(US) (13.767 kg)
Package 3 Weight	1270.00 lb(US) (576.062 kg)

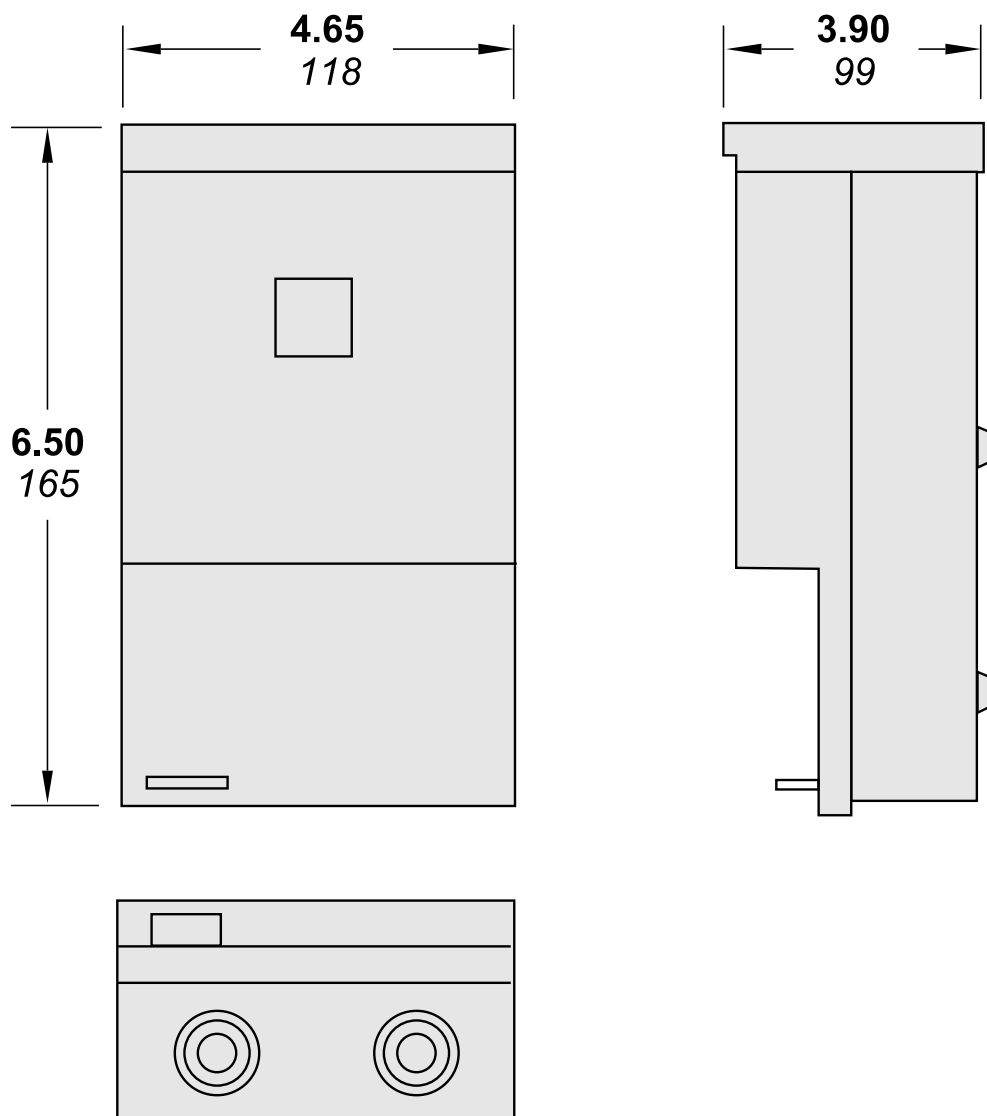
Offer Sustainability

California proposition 65	WARNING: This product can expose you to chemicals including: Lead and lead compounds, which is known to the State of California to cause cancer and birth defects or other reproductive harm. For more information go to www.P65Warnings.ca.gov
REACH Regulation	REACH Declaration
REACH free of SVHC	Yes
EU RoHS Directive	Compliant EU RoHS Declaration
Toxic heavy metal free	Yes
Mercury free	Yes
RoHS exemption information	Yes
China RoHS Regulation	China RoHS declaration Pro-active China RoHS declaration (out of China RoHS legal scope)

Contractual warranty

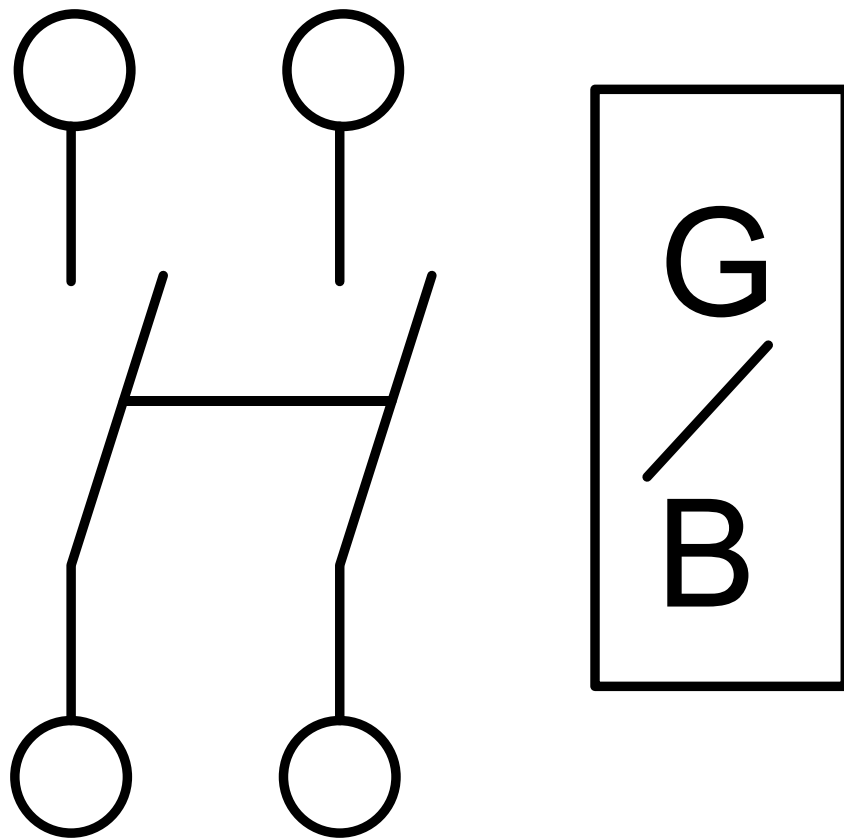
Warranty	18 months
----------	-----------

Dimensions



in.
mm

Wiring Diagram



240VAC